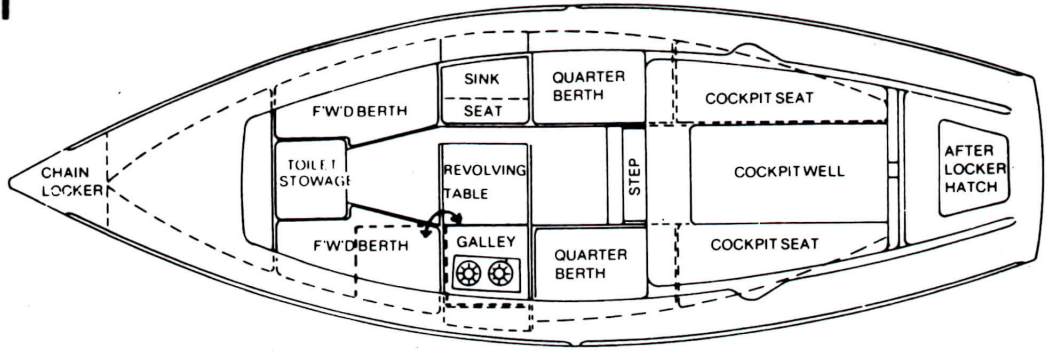
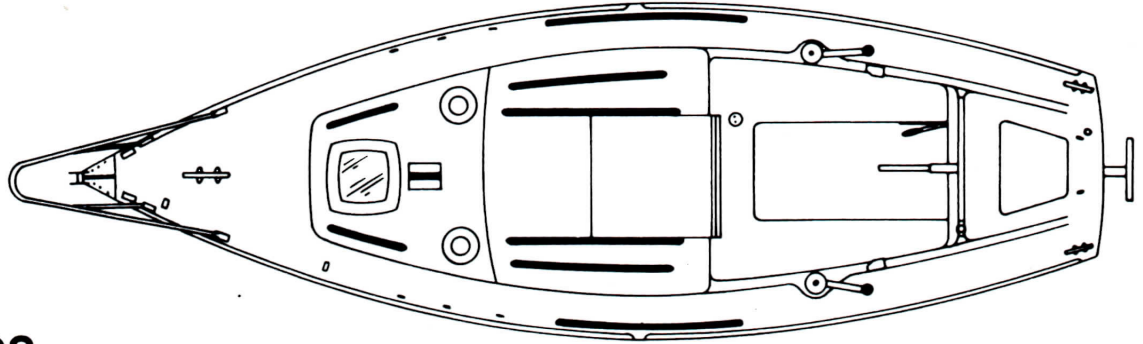


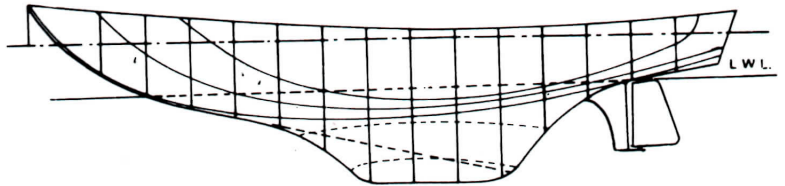
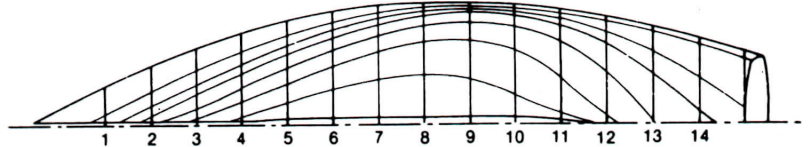
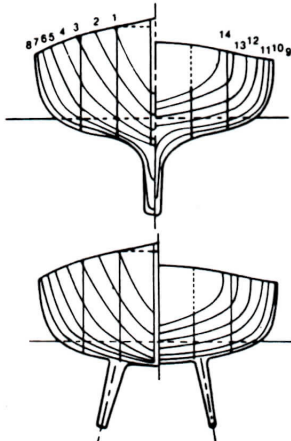
CORRIBEE 21 Mk II SPECIFICATION



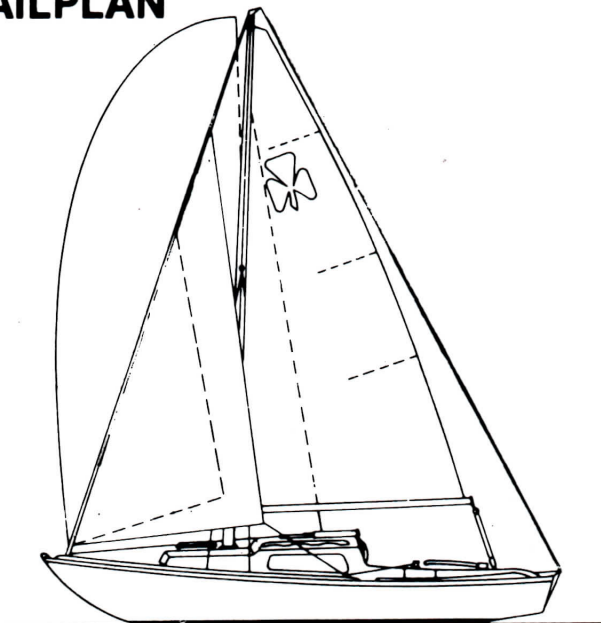
DECK LAYOUT



LINE DRAWINGS



SAILPLAN



MAIN DIMENSIONS

Length overall	20 ft 9 in	(6.3 metres)
Waterline	16 ft 3 in	(5 metres)
Maximum beam	7 ft 2 in	(2.18 metres)
Draft (fin)	3 ft 0 in	(.91 metres)
(bilge)	2 ft 2 in	(.66 metres)
Displacement laden	2,000 lbs	(908 kg)
Cabin headroom	4 ft 8 in	(1.36 metres)
Engine	Outboard up to 7.5 hp Inboard up to 12 hp	

SPECIFICATION (STANDARD)

Hull and deck	Moulded in GRP in Lloyds approved factory.
Deck layout	2250g/m ² C.S.M. + Wood/Foam reinforcing.
Hull layout	3150g/m ² C.S.M. + 810g/m ² Roving reinforcing in part.
Ballast keel	Cast iron 870 lb (395 kg) in fin keel (bilge keel — 419 lb (190 kg) in each keel) (NB 950 lb. (431 Kg.) with tall rig)
Mast and boom	Anodised alloy. Stainless, nylon and alloy fittings. Roller reefing gear for main.
Chain plates	Solid stainless steel. Through bolted to internal plates.
Standing rigging	Stainless steel 4mm 1 x 19 wire with swaged eyes.
Running rigging	Three-strand and plaited synthetic.
Fittings	2 1/2" (60mm) snubbing winches. Jam cleats. Jib sheet fairleads. Fairlead tracks. Mainsheet track and sliding hoop. Halyard cleats on mast. Deck cleats on port and starboard quarters. Alloy mooring cleat on foredeck. Fairleads. Bow roller and plate. Stainless steel rigging screws.
Exterior timber	Selected varnished marine grade hardwoods.
Interior timber	Hardwood cappings and marine grade plywood to BS1088 or similar.
Standard colours	Hull — white, pirate red, yellow, oxford blue, french blue. Superstructure — white, light grey, ivory.
Newbridge Boats Ltd.	Reserve the right to alter the standard specification without notice.

STANDARD

TALL RIG

Mainsail (area)	90 sq ft (8.4 sq m)	105 sq ft (9.8 sq m)
Storm jib	40.5 sq ft (3.8 sq m)	41 sq ft (3.8 sq m)
Working jib	66 sq ft (6.2 sq m)	70 sq ft (6.5 sq m)
Genoa No. 1	92 sq ft (8.6 sq m)	115 sq ft (10.7 sq m)
No. 2	112.7 sq ft (10.5 sq m)	140 sq ft (13.1 sq m)
Spinnaker app	180 sq ft (16.8 sq m)	240 sq ft (22.4 sq m)

AVAILABLE IN KIT FORM IN OUR 'KITCRAFT' PACKAGE.